

Customer Information Sheet

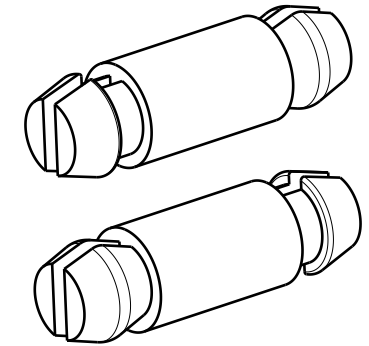
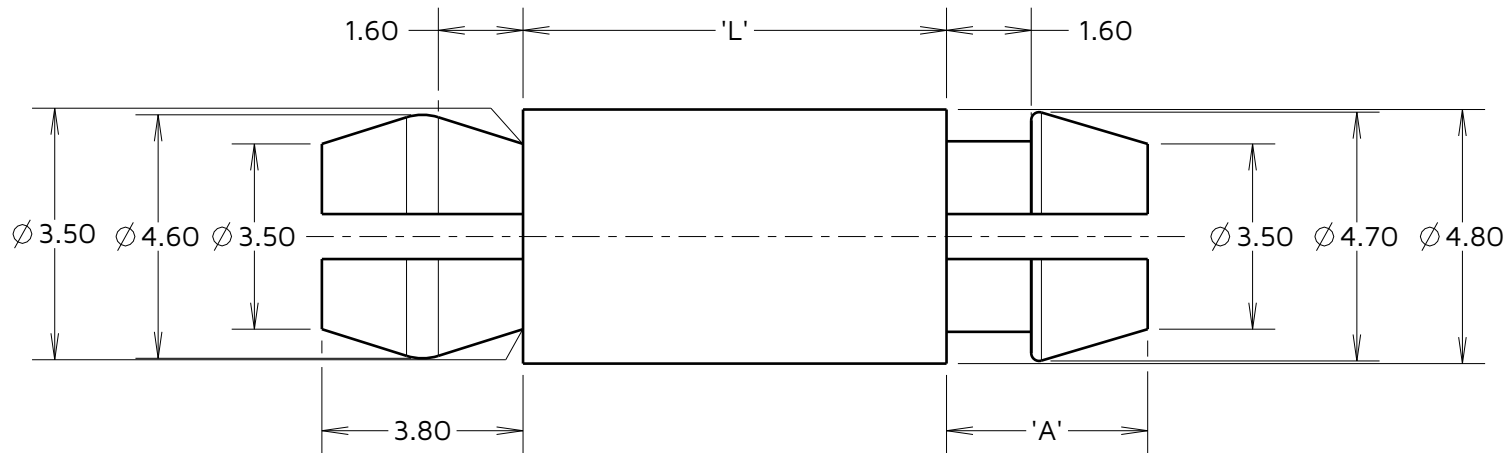
IF IN DOUBT - ASK



NOT TO SCALE

THIRD ANGLE PROJECTION

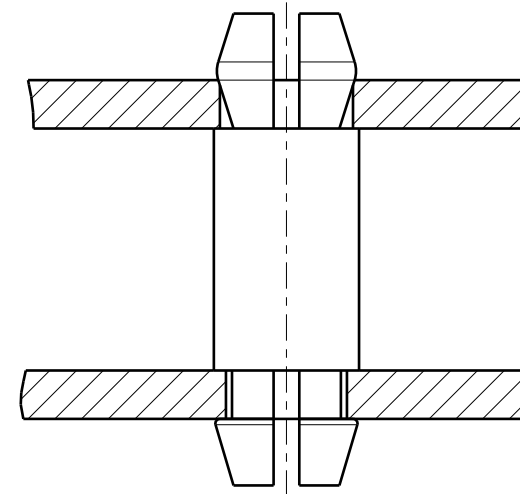
ALL DIMENSIONS IN mm



ORDER CODE:
R60XX-00
LENGTH 'L' IN mm

TABLE 1: DIMENSION VARIANTS

PART No.	'L'	'A'	WEIGHT (g)
R6003-00	3.20	3.80	0.15
R6006-00	6.30	3.80	0.21
R6008-00	8.00	3.80	0.25
R6009-00	9.53	3.56	0.27
R6010-00	10.50	3.80	0.30
R6013-00	12.70	5.60	0.36
R6022-00	22.20	5.60	0.56



NOTES:

- SUITABLE FOR 1.6mm THICK PCB.
- RECOMMENDED HOLE SIZE = $\phi 4.0\text{mm} \pm 0.1\text{mm}$ FOR BOTH ENDS.
- ALL DIMENSIONS ARE ± 0.25 , UNLESS OTHERWISE STATED

AY	9	29.04.24	33990
NAME	ISS.	DATE	CN/CO
APPROVED:		A.YEOMANS	
CHECKED:		R.PORTLOCK	
DRAWN:		J.KEIR	
ASSEMBLY DRG:			
PART WEIGHT:		MAT'L USAGE:	
SEE TABLE 1		-	

HARWIN

www.harwin.com

TOLERANCES
X. = $\pm 1\text{mm}$
X.X = $\pm 0.50\text{mm}$
X.XX = $\pm 0.20\text{mm}$
X.XXX = $\pm 0.01\text{mm}$
ANGLES = $\pm 5^\circ$
UNLESS STATED

THIS DRAWING AND ANY INFORMATION OR DESCRIPTIVE MATTER SET OUT HEREON ARE CONFIDENTIAL AND COPYRIGHT PROPERTY OF THE HARWIN GROUP AND MUST NOT BE DISCLOSED, LOANED, COPIED OR USED FOR MANUFACTURING, TENDERING OR FOR ANY OTHER PURPOSE WITHOUT THEIR WRITTEN PERMISSION.

MATERIAL:
NYLON 66, UL94V-2
NATURAL
FINISH: CLEAN
S/AREA: - mm²

TITLE:
**PLASTIC SPACER
SELF LOCKING**
DRAWING NUMBER:
R6003-00 - R6022-00

SHT
2
OF
2