

# Customer Information Sheet

DRAWING No.: M80-792XXXX

IF IN DOUBT - ASK

©

NOT TO SCALE

THIRD ANGLE PROJECTION

ALL DIMENSIONS IN mm

ORDER CODE:

**M80-792XXXX**

TOTAL No. OF WAYS  
02-07, ~~17~~, ~~22~~

FINISH  
22 - GOLD ON CONTACT AREA  
TIN/LEAD ON TAILS  
42 - GOLD ON CONTACT AREA  
100% TIN ON TAILS  
45 - GOLD

NOTES:  
1. 2-OFF STRAIN RELIEF STRAP M80-0030006  
ARE INCLUDED WITH EACH CONNECTOR.

SPECIFICATIONS:

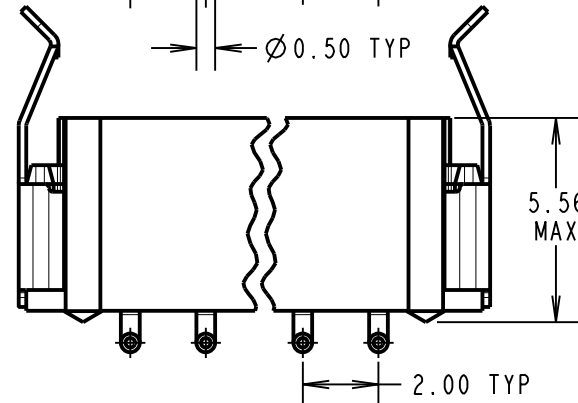
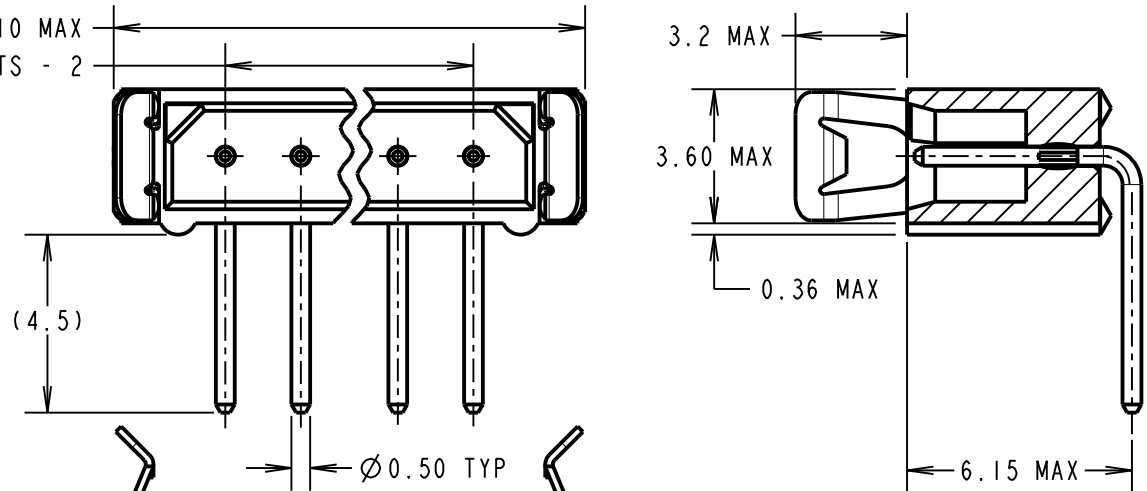
MATERIAL:  
MOULDING = GLASS-FILLED PPS UL94V-0, BLACK  
CONTACTS = PHOSPHOR BRONZE  
LATCHES = BERYLLIUM COPPER

FINISH:  
CONTACTS:  
22 = 0.75µm GOLD ON CONTACT AREA, 3.0µm TIN/LEAD ON TAILS  
42 = 0.75µm GOLD ON CONTACT AREA, 3.0µm 100% TIN ON TAILS  
45 = 0.75µm GOLD  
LATCHES = 1.25µm NICKEL

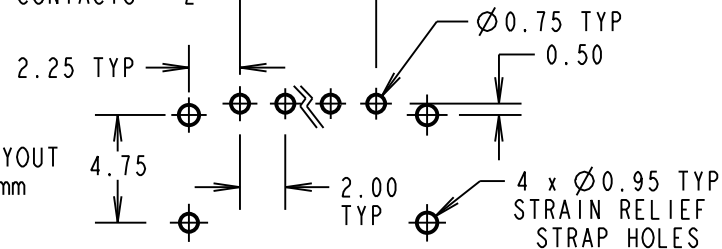
ELECTRICAL:  
CURRENT RATING AT 25°C = 3.0A MAX  
CURRENT RATING AT 85°C = 2.2A MAX  
WORKING VOLTAGE = 800V AC/DC  
VOLTAGE PROOF = 1200V AC/DC  
CONTACT RESISTANCE (INITIAL) = 20 mΩ MAX  
CONTACT RESISTANCE (AFTER CONDITIONING) = 25 mΩ MAX  
INSULATION RESISTANCE (INITIAL) = 1,000 MΩ MIN  
INSULATION RESISTANCE (AFTER CONDITIONING) = 100 MΩ MIN

MECHANICAL:  
DURABILITY = 500 OPERATIONS  
ENVIRONMENTAL:  
TEMPERATURE RANGE = -55°C TO +125°C  
PACKING: TUBE  
FOR COMPLETE SPECIFICATION, SEE COMPONENT  
SPECIFICATION C005XX (LATEST ISSUE)

TOTAL No. OF CONTACTS + 4.10 MAX  
TOTAL No. OF CONTACTS - 2



TOTAL No. OF CONTACTS - 2



RECOMMENDED PCB LAYOUT  
TOLERANCE ±0.05mm

**OBSOLETE**  
Pin counts 17 and 22  
Last Time Buy 21-Aug-2020

MGP	4	01.12.21	31135
NAME	ISS.	DATE	CN/CO
APPROVED: MGP			
CHECKED: MR			
DRAWN:		JM BROOKES	
CUSTOMER REF.:			
ASSEMBLY DRG:			

**HARWIN**

www.harwin.com  
technical@harwin.com

THIS DRAWING AND ANY  
INFORMATION OR DESCRIPTIVE  
MATTER SET OUT HEREON ARE  
CONFIDENTIAL AND COPYRIGHT  
PROPERTY OF THE HARWIN  
GROUP AND MUST NOT BE  
DISCLOSED, LOANED, COPIED  
OR USED FOR MANUFACTURING,  
TENDERING OR FOR ANY  
OTHER PURPOSE WITHOUT  
THEIR WRITTEN PERMISSION.

TOLERANCES  
X. = ±1mm  
X.X = ±0.50mm  
X.XX = ±0.20mm  
X.XXX = ±0.01mm  
ANGLES = ±5°  
UNLESS STATED

MATERIAL:  
SEE ABOVE  
FINISH:  
S/AREA: mm<sup>2</sup>

TITLE: DATAMATE SIL  
HORIZONTAL MALE PC TAIL  
ASSEMBLY - LATCHED

DRAWING NUMBER:  
**M80-792XXXX**

SHT  
2 OF 2