

Customer Information Sheet

IF IN DOUBT - ASK

©

NOT TO SCALE

THIRD ANGLE PROJECTION

ALL DIMENSIONS IN mm

ORDER CODE:
M80-101XX98S

No. OF WAYS: _____
02, 07, 17

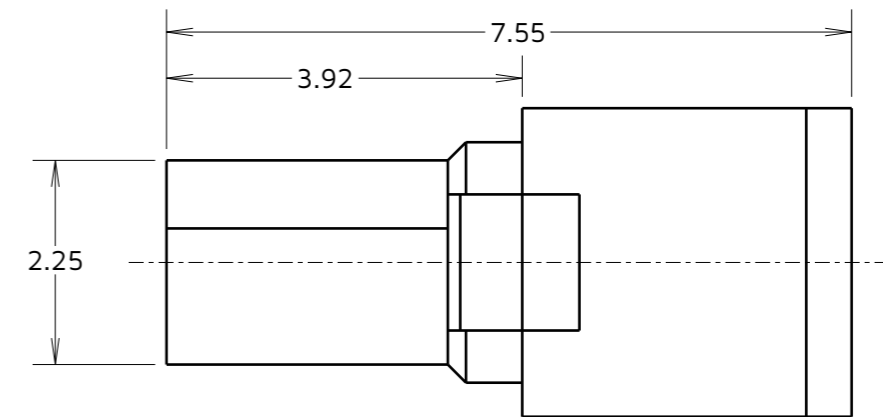
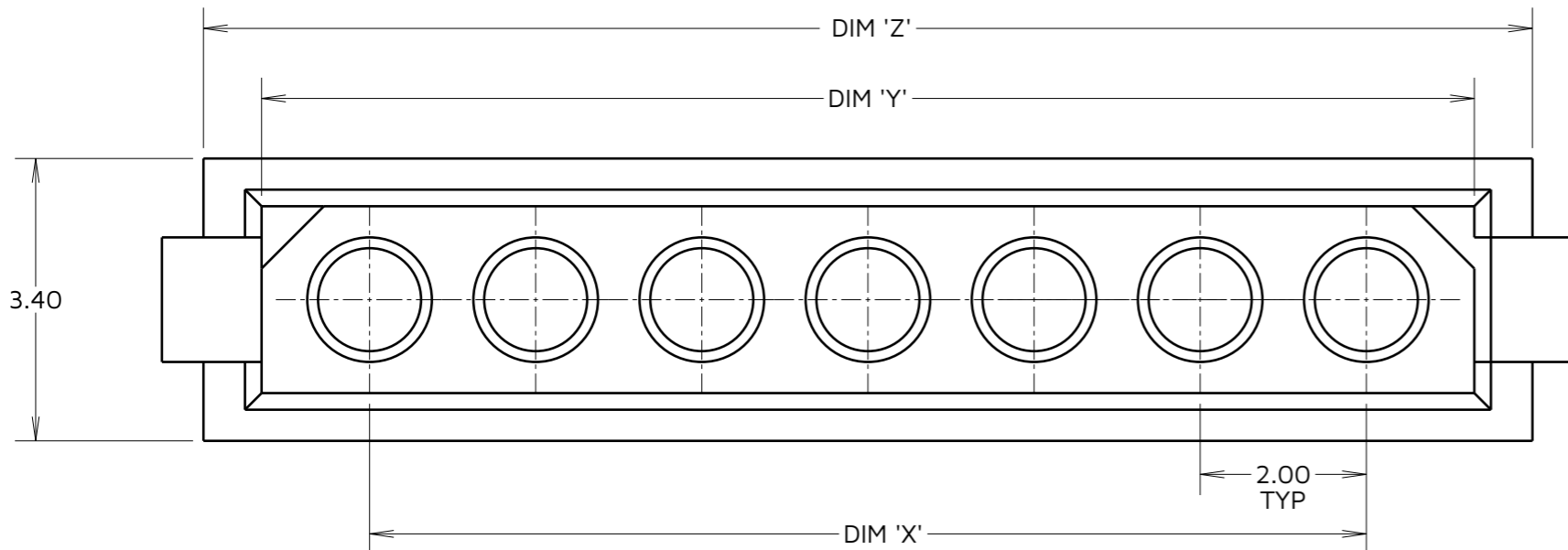
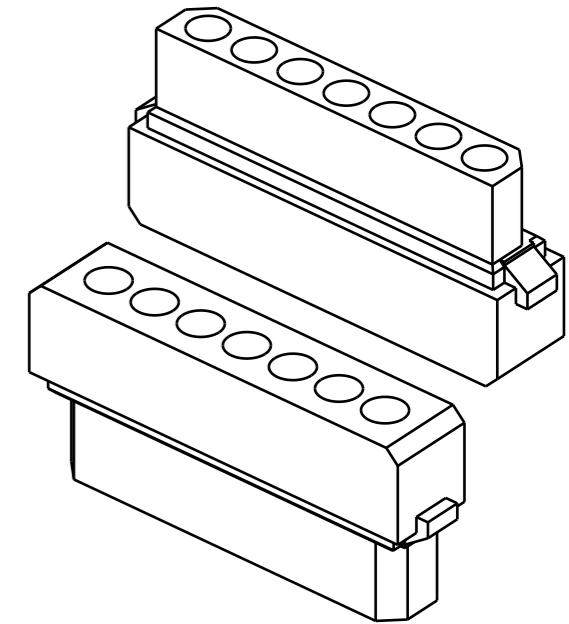


TABLE 1: DIMENSION VARIANTS			
PART No.	DIM 'X'	DIM 'Y'	DIM 'Z'
M80-1010298S	2.00	4.60	6.00
M80-1010398S	4.00	6.60	8.00
M80-1010498S	6.00	8.60	10.00
M80-1010598S	8.00	10.60	12.00
M80-1010698S	10.00	12.60	14.00
M80-1010798S	12.00	14.60	16.00
M80-1011798S	32.00	34.60	36.00

NOTES:

- SUITABLE FOR USE WITH M80-1100XX AND M80-01300XX CRIMP SOCKETS
- SPECIFICATION:

MATERIAL = GLASS FILLED POLYESTER UL94V-0 (BLACK)
FOR FULL SPECIFICATION REFER TO COMPONENT SPECIFICATION C005XX (LATEST ISSUE)

AY	12	07.08.24	34525
NAME	ISS.	DATE	CN/CO
APPROVED:		A.YEOMANS	
CHECKED:		A.BOXALL	
DRAWN:		B.CORNER	
ASSEMBLY DRG:			

HARWIN

www.harwin.com

TOLERANCES
X. = ±1mm
X.X = ±0.50mm
X.XX = ±0.20mm
X.XXX = ±0.01mm
ANGLES = ±5°
UNLESS STATED

THIS DRAWING AND ANY INFORMATION OR DESCRIPTIVE MATTER SET OUT HEREON ARE CONFIDENTIAL AND COPYRIGHT PROPERTY OF THE HARWIN GROUP AND MUST NOT BE DISCLOSED, LOANED, COPIED OR USED FOR MANUFACTURING, TENDERING OR FOR ANY OTHER PURPOSE WITHOUT THEIR WRITTEN PERMISSION.

MATERIAL:
M80-101XX98
(SEE ORDER CODE)

TITLE:
DATAMATE FEMALE SIL
CRIMP SOCKET HOUSING

DRAWING NUMBER:
M80-101XX98S

SHT
2 OF 2